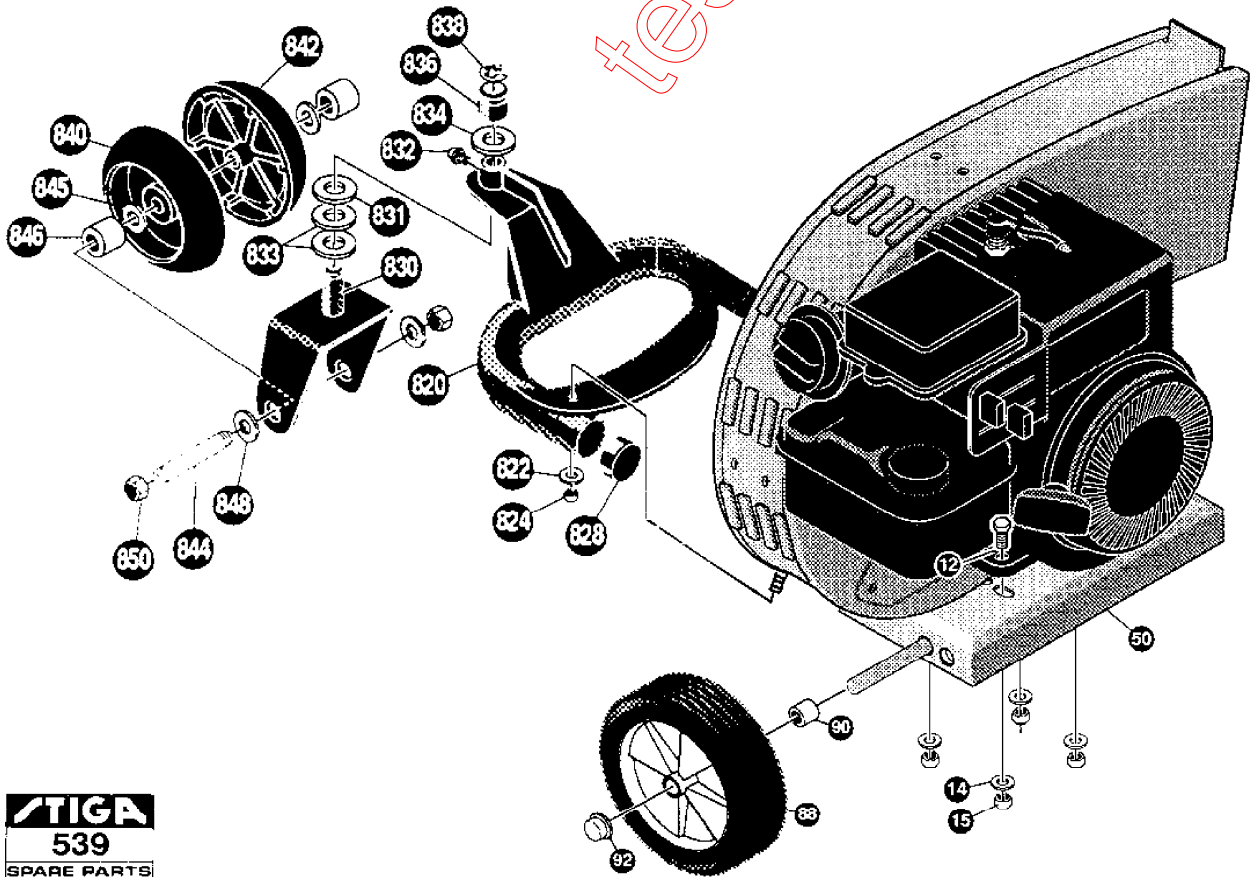


test



Section: BIO-PRO CHIPPER/SHREDDER ENGINE

Pos.	Quantity	Spare part No	Description	Kit	Notes	New
	1552					
12	4	9988-3645-16	Screw			
14	4	9699-0056-02	Flat washer			
15	4	9743-3621-32	Nut			
50	1	1133-0878-01	Engine mount			
60	1	1133-0889-01	Tank bracket			
62	2	9699-0028-02	Flat washer			
64	2	9743-3621-32	Nut			
66	2	9699-0028-02	Flat washer			
68	2	1133-0207-01	Screw			
70	1	1133-0896-01	Gas tank bracket			
72	2	9988-3619-16	Screw			
74	4	9699-0028-02	Flat washer			
76	2	9743-3621-32	Nut			
80	1	493337	Tank			
82	2	94095	Screw			
88	2	1133-0823-01	Support wheel			
90	2	1133-0869-01	Spacer			
92	2	1133-0849-01	Push on nut			
820	1	1133-0872-01	Caster wheel suppor			
822	2	9699-0056-02	Flat washer			
824	2	9743-3621-32	Nut			
828	2	1133-0871-01	Pipe plug			
830	1	1133-0873-01	Caster wheel yoke			
831	1	1133-0861-01	Plastic washer			
832	1	1133-0814-01	Grease nipple			
833	2	1133-0816-01	Flat washer			
834	1	1812-0361-01	Washer			
836	1	1133-0869-01	Spacer			
838	1	1133-0818-01	Ring, retex			
840	1	1133-0879-01	Caster wheel-L.H.			
842	1	1133-0880-01	Caster wheel-R.H.			
844	1	1133-0874-01	Pin-caster wheel ax			
845	2	9699-0038-02	Flat washer			
846	2	1133-0885-01	Spacer-sleeve			
848	2	9699-0030-02	Flat washer			
850	2	9743-3721-32	Nut			